

INSTRUCTIONS FOR OPERATING AND LOCKING NEW HORN TOUCH RELEASE AIRLIFT

NOTE: THE NEW TOUCH RELEASE AIRLIFT IS A BREEZE TO OPERATE. (NO MANUAL TRIP-LEVER REQUIRED) BY SIMPLY APPLYING A DOWNWARD PRESSURE THE AIRLIFT WILL STOP AT ONE OF THE THREE PRE-SET POSITIONS (FREE ARM, FLAT BED, AND STORAGE).

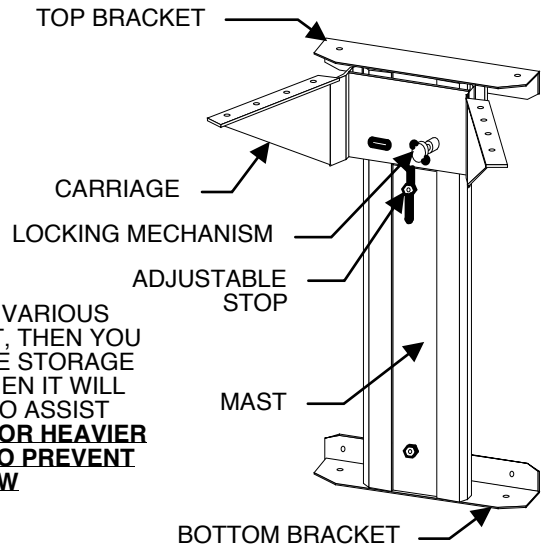
PLACE SEWING MACHINE ON MOUNTING PLATFORM.

TO LOWER

- PLACE BOTH HANDS ON THE MACHINE AND, USING YOUR BODY WEIGHT, SIMPLY PUSH THE MACHINE TO EITHER STORAGE OR FLAT-BED POSITION.

TO RAISE

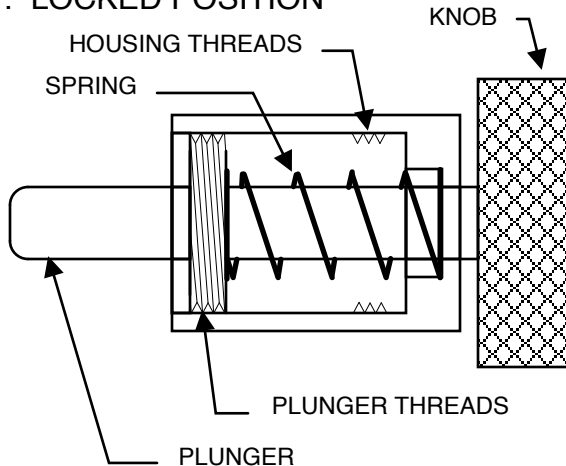
- EXERT A SLIGHT DOWNWARD PRESSURE ON THE MACHINE HEAD TO RELEASE AIRLIFT TO RAISE. NOTE: IF TOO MUCH PRESSURE IS EXERTED THE LIFTER WILL RE-LOCK IN SAME POSITION.



PLEASE NOTE: IT IS VERY DIFFICULT TO ADJUST THE LIFTER TO SUIT VARIOUS WEIGHTS OF SEWING MACHINES. IF YOUR SEWING MACHINE IS LIGHT, THEN YOU WILL REQUIRE A LITTLE MORE EFFORT TO PUSH THE MACHINE TO THE STORAGE POSITION, BUT IT SHOULD COME UP QUITE EASILY. IF IT IS HEAVY, THEN IT WILL BE EASY TO PUSH TO THE STORAGE POSITION, BUT YOU MAY NEED TO ASSIST THE LIFTER TO RAISE THE MACHINE OVER THE LAST INCH OR TWO. **FOR HEAVIER MACHINES THE AIRLIFT IS EQUIPPED WITH A LOCKING MECHANISM TO PREVENT DOWNWARD DRIFTING AT TOP TWO POSITIONS. PLEASE READ BELOW FOR OPERATING INSTRUCTIONS.**

LOCKING MECHANISM OPERATING INSTRUCTIONS

1. LOCKED POSITION

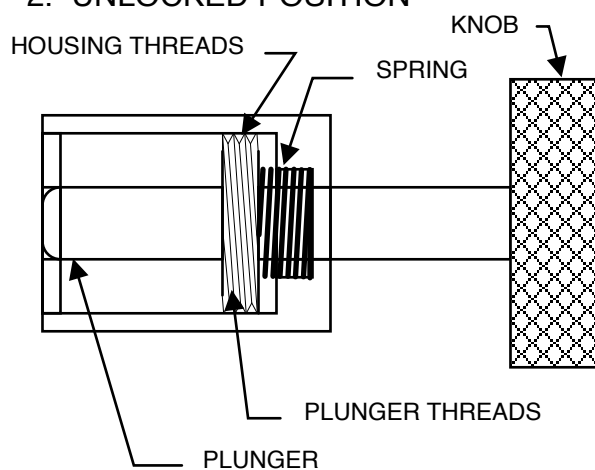


ABOVE IS A DIAGRAM SHOWING LOCKING MECHANISM IN **LOCKED** POSITION.

TO PREVENT AIRLIFT CARRIAGE FROM MOVING, THE LOCKING MECHANISM MUST BE IN THE LOCKED POSITION AS SHOWN ABOVE.

IF LOCKING MECHANISM IS IN UNLOCKED POSITION, TWIST KNOB CLOCKWISE UNTIL PLUNGER SPRINGS INWARD.

2. UNLOCKED POSITION



ABOVE IS A DIAGRAM SHOWING LOCKING MECHANISM IN **UNLOCKED** POSITION.

TO MOVE AIRLIFT CARRIAGE, LOCKING MECHANISM MUST BE IN UNLOCKED POSITION AS SHOWN ABOVE.

IF LOCKING MECHANISM IS IN LOCKED POSITION, PULL KNOB OUTWARD AND TWIST COUNTER-CLOCKWISE UNTIL INTERNAL THREADS MEET.